

Rebling Datasheet: Avionics Receptacle Style 1 Accessories

The members of Rebling's family of avionics bulkhead-mounted receptacle connectors conform to and are QPL'd to Mil Specs MS25182, MS3509, Mil-PRF-18148, Mil-E-18148 and Mil-E-81099 and are available under Rebling's Cage Code 30525. This datasheet highlights various accessories for the avionic receptacles. Receptacles with different profiles and different rear termination options can be found on other datasheets.

Electrical (per MIL PRF 18148)

Current	
Rated Current	750 amps
Peak Current	1,500 amps

Voltage & Resistance	
Rated Voltage (DC)	750 volts
Dielectric Withstanding Voltage (DC)	2,500 volts
Contact Resistance (maximum)	60 micro-ohms

Mechanical (per MIL PRF 18148)

Flammability Rating	UL94 HB
Environmental Sealing	with standard Kit Components with Optional Gasket
Operating Temperature	-85 to +71 C°
Mechanical Shock	20 Gs – 3 axes
Vibration	10 Gs – 3 axes
Mating Cycles (no electrical load)	1,500 cycles
Maximum Wire Size:	3/0 (80 mm ²)
Maximum Terminal Lug Tongue Width	0.76" (19.3 mm) Maximum
Terminal Lug Web Width	0.22" (5.6 mm)
Recommended Torque on Electrical Connection Nuts	30 - 40 in-lbs (3.4 - 4.5 Nm)

Compliance

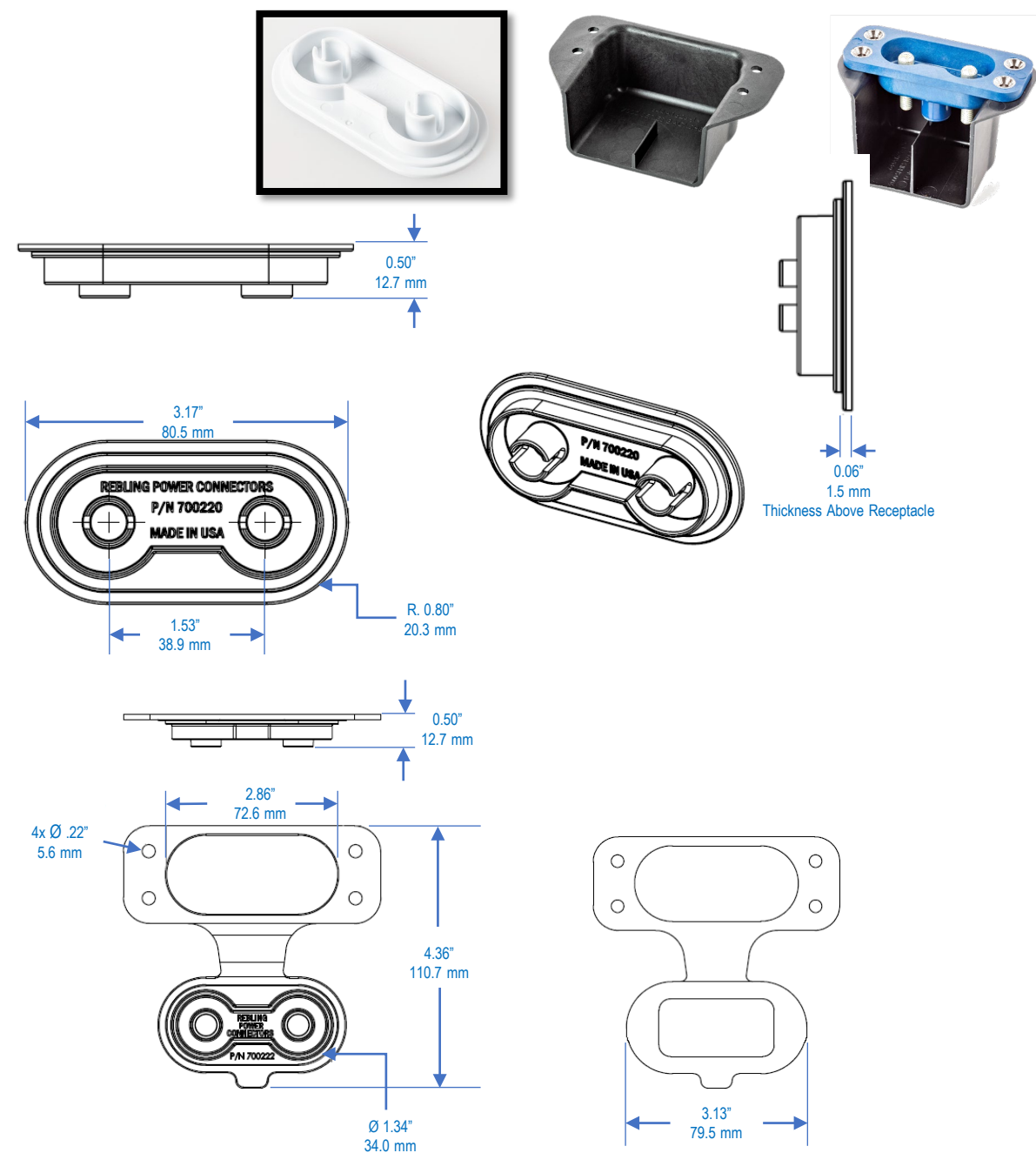
RoHS, REACH, CMRT/3TG All parts listed on this datasheet are RoHS, REACH and CMRT/3TG Compliant

Mounting and Assembly

Recommended Torque on the 5/16 electrical connection nuts	30-40 in-lbs (3.4-4.5 Nm)
Torque on the 5/16 electrical connection nuts that causes material failure	80 in-lbs (9 Nm)

Application Notes

1. When attaching large cables to the rear threaded posts, use Burndy narrow tongue crimp lugs
2. #8 or M4 flathead 82 degree screws are recommended for mounting the connector to the panel
3. EMI Shielded Receptacles - see the datasheet for Rebling's EMI Receptacle P/N 7009-51



For complete dimensions, download 3D Step files of Receptacle and Accessories at Rebling.com



P/N	Description	Plastic Color	Weight (Grams)
100A1112	Gasket for Style 1 Receptacle	Black	0.75
644A1626	Backshell for rear of style 1 receptacle, 1.49" inside depth	Black	53
644A1627	Backshell for rear of style 1 receptacle, 2.49" inside depth	Black	76
700222-1	Gasket with attached Dust Cover for style 1 receptacle, Silicone, Black	Black	19
700220	Rigid Dust Cover, White	White	10
700220PK	Rigid Dust Cover, Pink	Pink	10
7002-37	Receptacle, Style 1, No Contacts, Gray	Gray	84

